

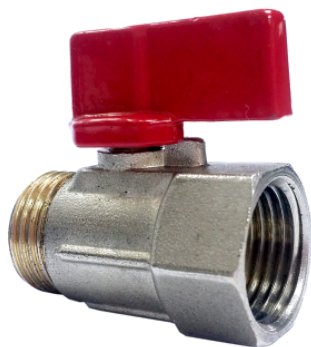


# BRASS MINI BALL VALVES

## Literature



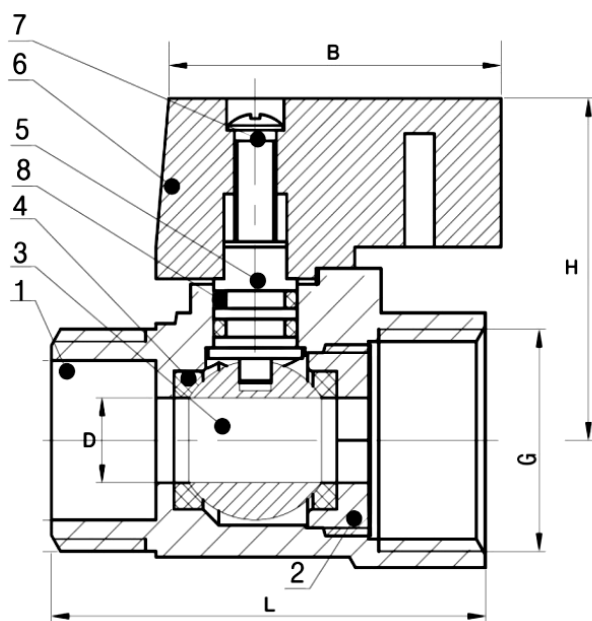
**Introduction:**



Mini ball valve is a quarter turn type ball valve that is used for shut off application in pipework. The handle can be rotated 90 degrees to open or close the valve. It is a threaded end ball valve with one side male thread and another side female thread.

Mini ball valves are ideal for use in small, confined spaces, where larger valves are not necessary. They are suitable for residential and light commercial applications in domestic hot and cold water systems, natural or bottled gas and compressed air systems.

**Figure 1 Brass Mini Ball Valve**



Brass M x F Mini Ball Valve Drawing

**Material List :**

NO	PART NAME	MATERIAL
1	Body	Brass
2	Cap	Brass
3	Seat	PTFE
4	Ball	Hard Chromed Brass
5	Stem	Brass
6	Handle	Aluminium
7	O Ring	NBR
8	Nut	Steel

## **Chuan Kok Hardware & Machinery Pte Ltd**

Address : 1783 Geylang Bahru, #01-02, Singapore 339708  
Telephone Number : +65 6294 2566  
Email Address : [info@chuankok.com](mailto:info@chuankok.com)  
Website : [www.chuankok.com](http://www.chuankok.com)  
Business Registration Number : 198201577Z  
Country of Registration : Singapore

### **Conditions of Use of Catalogue:**

The information in the catalogue are not binding and in order to improve distribution, Chuan Kok Hardware & Machinery Pte Ltd reserves the right to make any change including size and pressure ratings considered necessary at any time and without prior notice. According to the copyright and the civil law, any reproduction (also partial) of figures and texts of this catalogue by means of electronic, mechanical, photocopies, microfilms, recordings or other is forbidden without Chuan Kok Hardware & Machinery Pte Ltd's authorization.  
Catalogue Version: 2021

