



Threaded End 200PSI

# Stainless Steel

# GLOBE VALVES



### Features

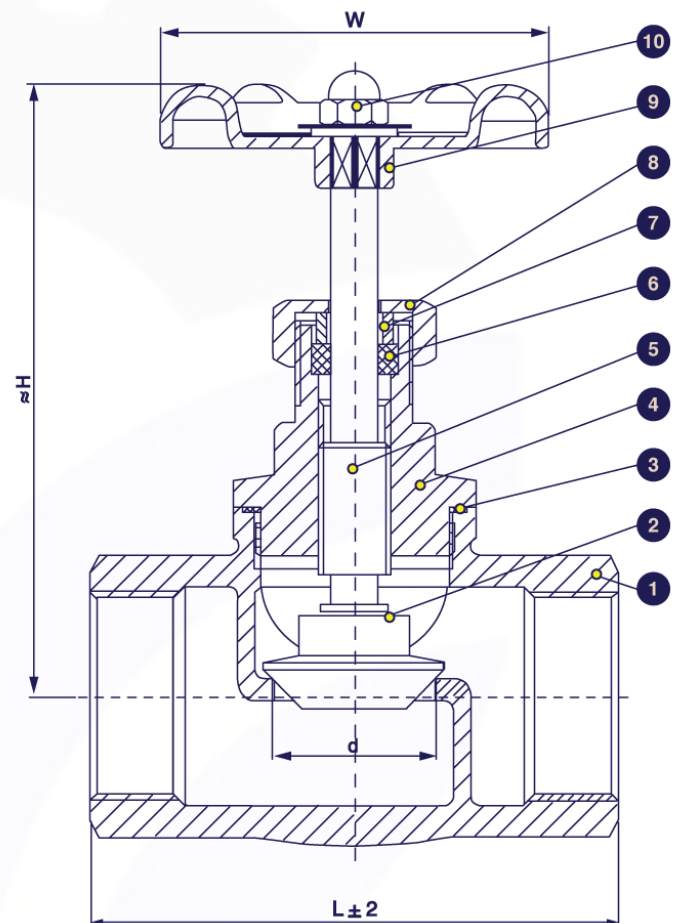
- Threaded End: BSPT, NPT
- Size: 1/2" – 2" (DN15 – DN50)
- Valve Body Material: SS316
- Working Pressure: 200 PSI
- Applicable Medium: General oil, gas and water applications
- Temperature Range: -29°C to 150°C



**Threaded End SS316  
Globe Valves 200 PSI**

### Material List

No.	Part Name	Material
1	Body	A351 CF8/CF8M
2	Disc	SS316
3	Gasket	PTFE
4	Bonnet	A351 CF8/CF8M
5	Stem	SS316
6	Packing	PTFE
7	Gland	PTFE
8	Bonnet	A351 CF8/CF8M
9	Handwheel	ZL101
10	Nut	SS304



### Technical Specifications

1. Basic design and manufacture according to ASME B16.34
2. Inspection and test for according to API 598.
3. Connection screw for the valve according to ASME B1.20.1, BS 2779.

Main Technical Parameter			
Normal pressure		200 PSI	
Test pressure	Shell test	2.1	MPa
	Seal test	1.6	
	Gas test	0.6	
Max working temperature		--29°C to 150°C	
Applicable Medium: General oil, gas & water			

## Ordering Information

VL	-	S	-	GL	-	N	-	200	-	08
I		II		III		IV		V		VI

<b>I</b>	<b>Type of Item</b>		
VL	Low Pressure Valves		

<b>II</b>	<b>Material Grade</b>		
S	SS316, CF8M	CI	Cast Iron
FS	Forged Steel	CS	Cast Steel
B	Brass		

<b>III</b>	<b>Item</b>		
GA	Gate Valve	B1	1 PC Ball Valve
GL	Globe Valve	B2	2 PC Ball Valve
YS	Y-Strainer	B3	3 PC Ball Valve
SC	Swing Check Valve	BL	3 Way Ball Valve L Port
VC	Vertical Check Valve	BT	3 Way Ball Valve T Port
WC	Wafer Check Valve	BMF	Male x Female Mini Ball Valve
DD	Dual Disk	BU	Butterfly Valve

<b>IV</b>	<b>Connection Type</b>		
SW	S/W	G	BSPP
BW	B/W	N	NPT
R	BSPT	F	Flange End
W	Wafer	L	Lug

<b>V</b>	<b>Pressure</b>		
200	200 PSI	2000	2000 PSI
300	300 PSI	150	ANSI 150# Flange Standard
600	600 PSI	10K	JIS 10K Flange Standard
800	800 PSI	PN16	PN 16 Flange Standard
1000	1000 PSI		

## For Inch OD & Inch NB Sizes

<b>VI</b>	<b>Size</b>							
Size	1/8"	1/4"	5/16"	3/8"	1/2"	5/8"	3/4"	1"
Code	02	04	05	06	08	10	12	16
Size	1 1/4"	1 1/2"	2"	2 1/2"	3"	4"	5"	6"
Code	20	24	32	40	48	64	80	96

<b>VII</b>	<b>Coating</b>		
(None)	No Additional Coating		
NI	Nickel Plating		

### Dimension List

NPS	d	L	H	W	Weight (Kg)
1/2"	11	59.5	84.8	63.3	0.32
3/4"	17	69.5	88.7	63.3	0.43
1"	22	79.2	95.5	70.6	0.64
1 1/4"	27	88.8	107.4	71.4	1.10
1 1/2"	33	103.7	133.5	97.8	1.42
2"	44	117.8	136.2	95.6	1.99

### Part Number Reference

Part No	Description
VL-S-GL-G-200-08	1/2"BSPP SS316 GLOBE VALVE 200 PSI
VL-S-GL-G-200-12	3/4"BSPP SS316 GLOBE VALVE 200 PSI
VL-S-GL-G-200-16	1"BSPP SS316 GLOBE VALVE 200 PSI
VL-S-GL-G-200-20	1 1/4"BSPP SS316 GLOBE VALVE 200 PSI
VL-S-GL-G-200-24	1 1/2"BSPP SS316 GLOBE VALVE 200 PSI
VL-S-GL-G-200-32	2"BSPP SS316 GLOBE VALVE 200 PSI
VL-S-GL-N-200-08	1/2"NPT SS316 GLOBE VALVE 200 PSI
VL-S-GL-N-200-12	3/4"NPT SS316 GLOBE VALVE 200 PSI
VL-S-GL-N-200-16	1"NPT SS316 GLOBE VALVE 200 PSI
VL-S-GL-N-200-20	1 1/4"NPT SS316 GLOBE VALVE 200 PSI
VL-S-GL-N-200-24	1 1/2"NPT SS316 GLOBE VALVE 200 PSI
VL-S-GL-N-200-32	2"NPT SS316 GLOBE VALVE 200 PSI



# Threaded End 200PSI SS316 Globe Valves



## AF HYDRO

### Conditions of Use of Catalogue:

The information in the catalogue are not binding and in order to improve distribution, AF Hydro reserves the right to make any change including size and pressure ratings considered necessary at any time and without prior notice. According to the copyright and the civil law, any reproduction (also partial) of figures and texts of this catalogue by means of electronic, mechanical, photocopies, microfilms, recordings or other is forbidden without AF Hydro's authorization.