

# Low Pressure CAMLOCK FITTINGS



## CAM AND GROOVE COUPLINGS

### Features:

- Design Standard: EN 14420-7
- Connection Type: Screw End / Hose Shank
- Working Pressure: Up to 250PSI
- Material: Aluminium / Stainless Steel / Brass
- Gasket Material: NBR (Other materials available upon request)
- Size: 1/2" – 4" (DN15 – DN100)



Cam and groove fittings are used to build connection between hoses and pipes. Cam-lock fittings are used in liquid applications or dry bulk applications, but not to be used for air or steam applications. It is available in aluminium material, stainless steel material, and brass material to suit application in various sectors.

There are two parts of cam-lock fittings, male adaptor and female coupler. To make connection, first pull the female coupler lever above the cam handle. Then simply slide the adaptor into coupler with normal hand pressure. Close the coupler by press down the levers. It will lock the adaptor when the levers are closed. When adaptor connected to coupler, it builds connection for hoses or pipes.

To disconnect adaptor from coupler, make sure the connection of cam-lock fitting is depressurized. By pulling up the lever above the cam handle, the adaptor can then be removed from the coupler. The coupler can be closed by press down the lever. It can also connect to dust plug when coupler is not in use to protect it from damage. The adaptor can connect to dust cap when it is not in use.

### Maximum Allowable Working Pressure Table (PSI)

INCH	1/2"	3/4" - 2"	2 1/2"	3"	4"
Aluminium	150	250	150	125	100
Stainless Steel	150	250	225	200	100
Brass	150	250	150	125	100

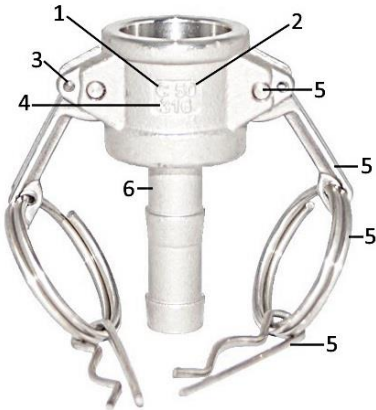
The pressure rating above is rated at ambient temperature. It means that the pressure rating is affected by the ambient temperature and material as well. The temperature de-rating factors are as below table.

### Temperature De-rating Table

Temperature (°F)	Temperature (°C)	Aluminium	Stainless Steel	Brass
100	37.80	1.00	1.00	1.00
150	65.60	1.00	1.00	1.00
200	93.30	1.00	1.00	1.00
250	121.10	0.81	1.00	1.00
300	148.90	-	1.00	0.97
350	176.70	-	1.00	0.95
400	204.40	-	1.00	0.92
450	232.20	-	1.00	0.90
500	260.00	-	1.00	-



**Parts:**

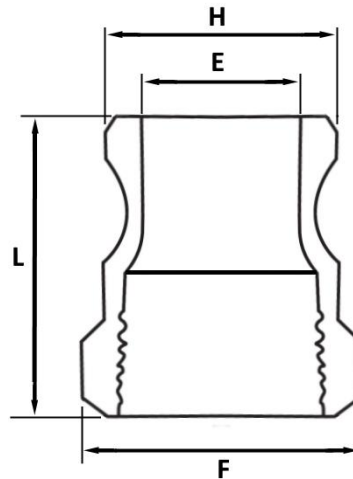


1. Cam and groove coupling type marking
2. Cam and groove coupling diameter marking
3. Hole for safety pin
4. Material specification marking
5. Safety pin, ring, handles, and pin
6. Hose shank

**NOTE:** When ordering couplers, it is the responsibility of the end user to specify the gasket material, based on his knowledge of the solvent or corrosive characteristics and the temperature of the vapor liquid with which the gaskets will be in contact. Other available gasket material includes Neoprene, pure gum, butyl, Teflon, Viton, E.P.T., Thiokol or any other material to meet specifications.

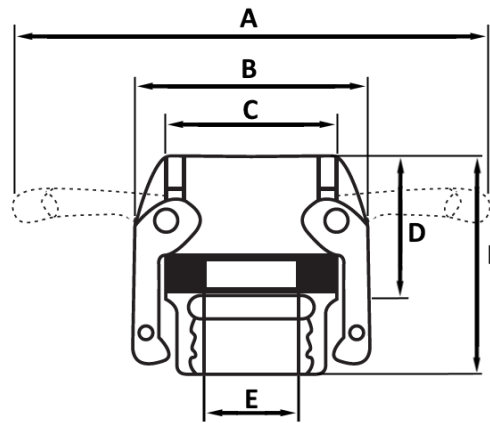


**TYPE A: MALE ADAPTER x FEMALE THREAD**



Type A	1/2"	3/4"	1"	1 1/4"	1 1/2"	2"	2 1/2"	3"	4"
E	16.5	22.85	25.8	35.14	42.8	52.98	60.3	76.3	104.2
F	25.6	31.1	38.45	47.9	55.9	65.98	79.5	94.1	122
H	23.7	32.07	36.85	45	53.36	62.76	75.7	91.6	119.4
L	36.36	34.4	42	50.5	50	55.9	73	67.3	68.7

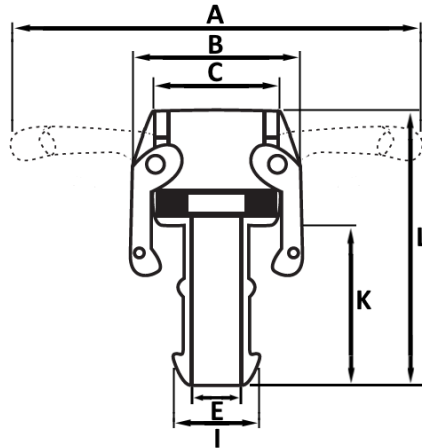
**TYPE B: FEMALE COUPLER x MALE THREAD**



Type B	1/2"	3/4"	1"	1 1/4"	1 1/2"	2"	2 1/2"	3"	4"
A	110	120	130	185	195	195	215	250	280
B	52.85	59.1	68	77.7	88	97.15	109.8	135.74	165
C	32.85	40	45.7	53.85	63.15	73.5	87	102.75	132.6
D	28	29.8	35.66	43.8	43.3	49.35	53.47	53	54.4
E	14.25	19.85	26	34	39	50.9	62.6	75.7	101.6
L	43	45.6	54.2	63.5	66.7	72.6	84.6	87.34	89.4

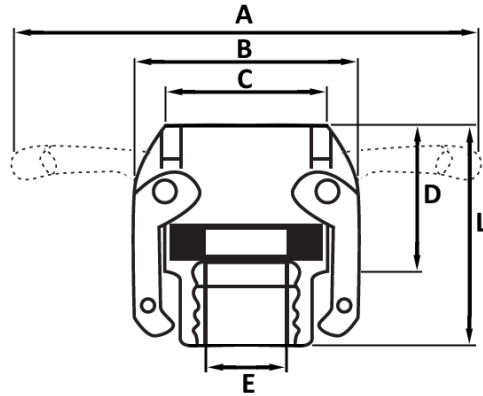


**TYPE C: FEMALE COUPLER x HOSE SHANK**



Type C	1/2"	3/4"	1"	1 1/4"	1 1/2"	2"	2 1/2"	3"	4"
A	108	120	135	185	190	200	215	250	280
B	52.05	58.8	68.6	77.5	87.8	97	110	136.2	163
C	24.42	40.3	45.36	54.15	63.26	72.8	87.3	102.8	134.2
E	8.35	15.4	20	27.18	34.35	46.65	59.8	69.6	92.87
I	13.74	20.2	26.5	33.3	40.2	53.4	67.5	78.7	104.4
K	40.7	49.7	58.5	61.2	65.66	70.2	79.82	89.5	97.5
L	69.2	80.1	94.4	105.4	109.8	118.7	133	142.6	151

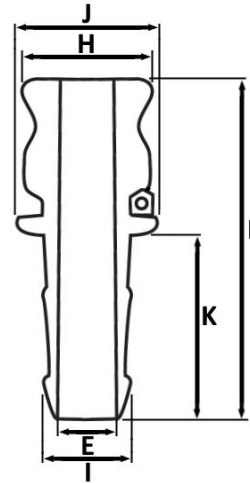
**TYPE D: FEMALE COUPLER x FEMALE THREAD**



Type D	1/2"	3/4"	1"	1 1/4"	1 1/2"	2"	2 1/2"	3"	4"
A	110	120	130	185	190	200	215	250	280
B	52.7	59.6	68.1	78.3	87.4	100	111.78	129.5	160
C	32.8	40.16	45.7	54.1	63.3	73.28	87.9	103.4	135.8
D	28.3	30	35.8	43.8	43.7	49	52.64	52.2	54.6
E	18.76	23.6	29.5	38.4	44.4	56.3	68.2	84.5	108.8
L	43.1	44.5	54.5	64.6	64.8	70.4	80.1	82.3	85.6

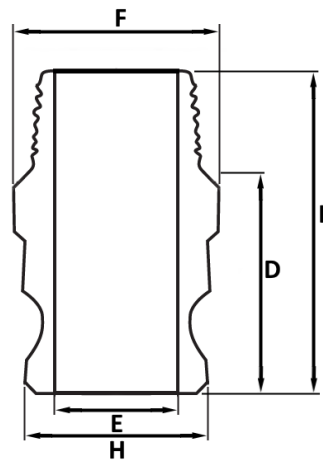


**TYPE E: MALE ADAPTER x HOSE SHANK**



Type E	1/2"	3/4"	1"	1 1/4"	1 1/2"	2"	2 1/2"	3"	4"
E	8.18	15.1	21.24	27	33.82	45.32	60.5	69.2	93.6
H	23.78	32.1	36.77	45.1	53.33	62.88	75.5	91.6	119.5
I	13.5	20	27.1	32.9	39.83	53.45	61.5	78.2	103.7
J	24.78	34	39	48.4	55.12	66.2	80.2	92.4	121.5
K	39.8	50	58.4	60.37	62.2	69.8	80	90	98.1
L	73.2	87.65	97.1	112.36	114	131.4	140.7	153.4	161

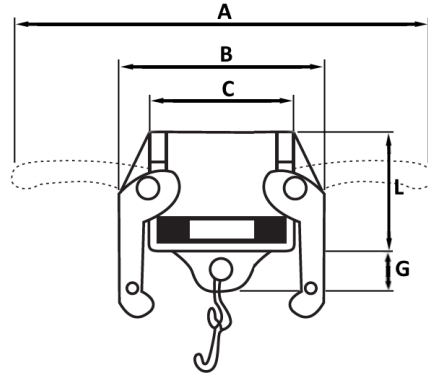
**TYPE F: MALE ADAPTER x MALE THREAD**



Type F	1/2"	3/4"	1"	1 1/4"	1 1/2"	2"	2 1/2"	3"	4"
D	33.3	32.1	38.5	46.92	49.37	54.3	57	62.6	63.4
E	16.5	23.4	27	34.2	43.95	51.4	64.3	78.5	105.3
F	22	26.9	38.4	47.07	55.65	65.4	77.5	93.9	122.3
H	23.8	32	36.7	45.2	53.1	63	75.8	91.4	119.6
L	48.4	46.3	56.1	66.4	70.4	76.3	83.8	89.8	92.7

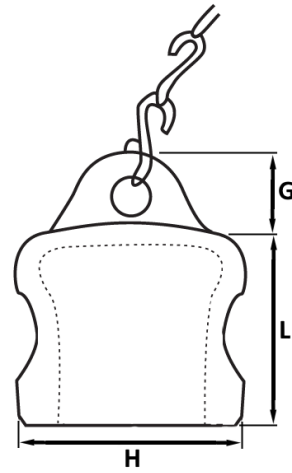


**TYPE DC: DUST CAP**



DC	1/2"	3/4"	1"	1 1/4"	1 1/2"	2"	2 1/2"	3"	4"
A	110	120	130	185	190	200	215	250	280
B	52.4	59	68	77.2	86.32	97.77	109.3	138	166
C	32.8	40.1	45.6	53.9	62.9	72.7	86.5	104.1	133.4
G	7.1	11.38	11.5	12.7	11.9	14.37	10.8	15	15.9
L	29.25	29.5	36.2	43.77	62	49.33	53.34	53	56

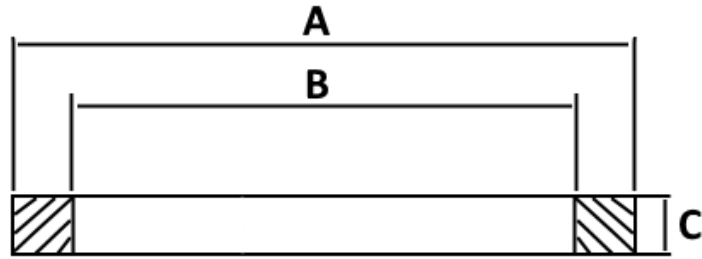
**TYPE DP: DUST PLUG**



DP	1/2"	3/4"	1"	1 1/4"	1 1/2"	2"	2 1/2"	3"	4"
G	8.7	11.36	7.3	15.2	15	14.6	12.8	15.8	16.1
H	23.8	32	36.7	45.1	53.2	63	75.5	91.5	119.5
L	25	24.6	32.43	37.4	37.5	45.9	46	43.6	43.67



**CAM AND GROOVE SEAL (NBR)**



Size	A	B	C
1/2"	26.00	17.00	4.00
3/4"	35.00	22.00	5.54
1"	40.00	27.00	6.35
1 1/4"	49.00	35.00	6.35
1 1/2"	56.00	41.00	6.35
2"	67.00	51.00	6.35
2 1/2"	79.00	60.00	6.35
3"	91.00	76.00	6.35
4"	124.00	102.00	6.35





## **RFS Hydraulics Sdn Bhd**

**Address:** Menara UOA Bangsar, A-25-02, NO. 5, Jalan Bangsar Utama 1, 59000 Kuala Lumpur, Malaysia

**Telephone Number:** +603 30994737

**Email Address:** [info@rfshydraulics.com](mailto:info@rfshydraulics.com)

**Website:** [www.rfshydraulics.com](http://www.rfshydraulics.com)

**Business Registration Number:** 1312576-W

**Country of Registration:** Malaysia

### **Conditions of Use of Catalogue:**

The information in the catalogue are not binding and in order to improve distribution, RFS Hydraulics Sdn Bhd reserves the right to make any change including size and pressure ratings considered necessary at any time and without prior notice.

According to the copyright and the civil law, any reproduction (also partial) of figures and texts of this catalogue by means of electronic, mechanical, photocopies, microfilms, recordings or other is forbidden without RFS Hydraulics Sdn Bhd's authorization.

Catalogue Version: 1020



**AF HYDRO**

**Conditions of Use of Catalogue:**

The information in the catalogue are not binding and in order to improve distribution, AF Hydro reserves the right to make any change including size and pressure ratings considered necessary at any time and without prior notice. According to the copyright and the civil law, any reproduction (also partial) of figures and texts of this catalogue by means of electronic, mechanical, photocopies, microfilms, recordings or other is forbidden without AF Hydro's authorization.